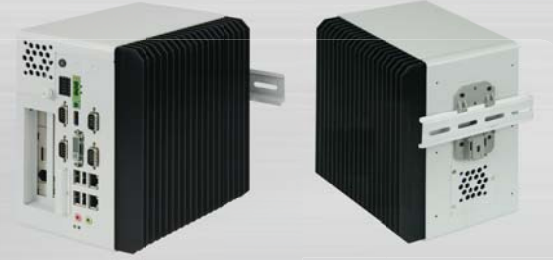


Intel Core i eBPC



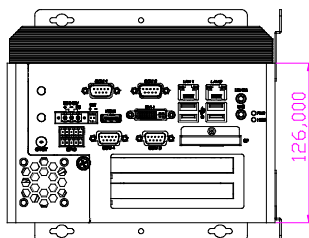
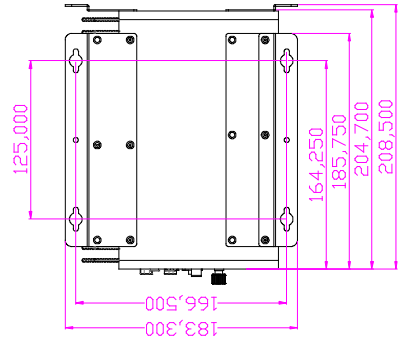
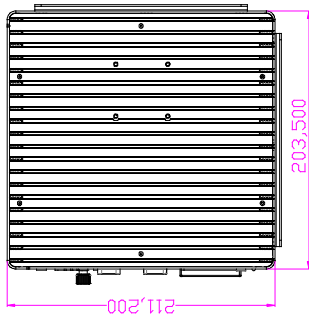
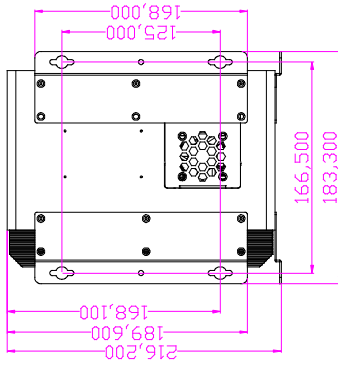
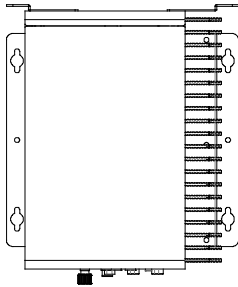
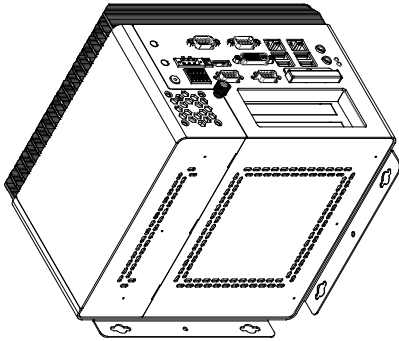
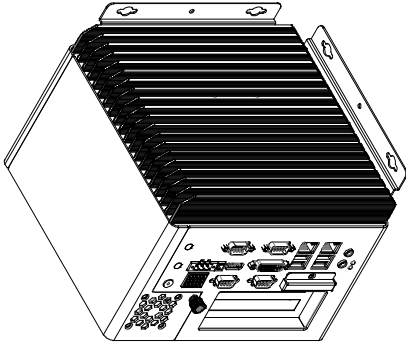
Din Rail Mounting

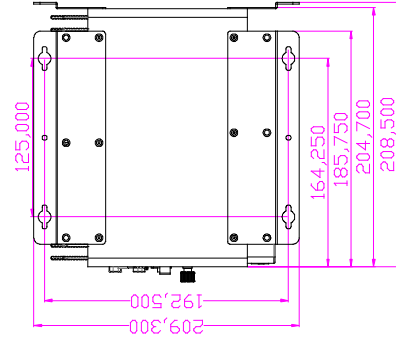
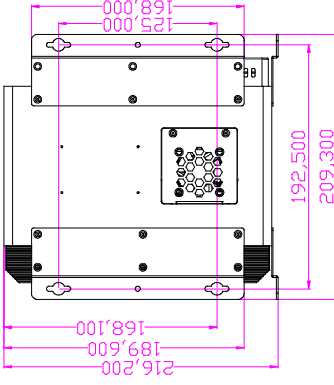
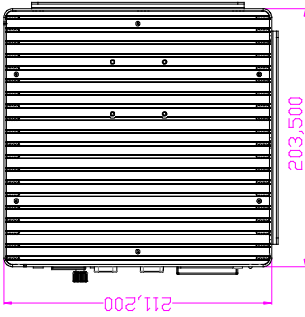
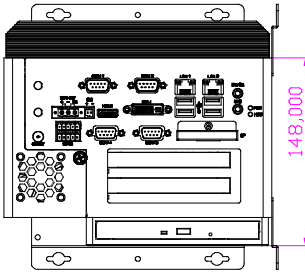
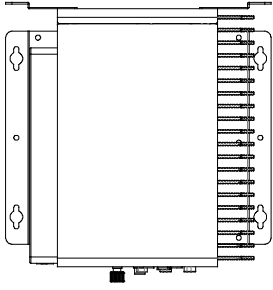
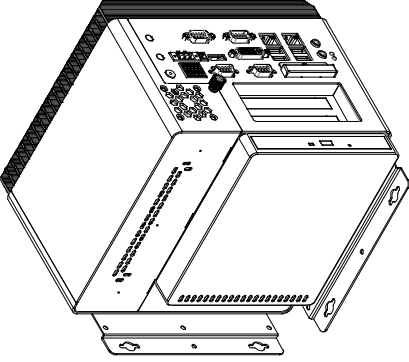
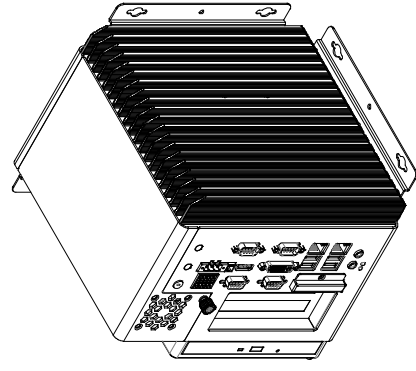
Specifications

Processor	Support Socket G2/G3, 2nd/3rd Generation Intel Core i7/i5/i3 Mobil CPU
System Memory	2 x 204 Pin DDR3 SO-DIMM, default 4GB (one slot), up to 8GB 1066/1333MHz
System Chipset	Intel QM67/QM77 PCH, Sandy Bridge / Ivy Bridge
External I/O Port	2 x DB9 RS-232 (COM1.2) 1 x DVI-I 1 x HDMI 2 x RJ45 GbE LAN 4 x USB 2.0 1 x Mic-in, Line-Out 1 x DC Power 3 Pin terminal block connector 1 x 2 pin power switch connector 2 x LED indication 1 x Power button switch 1 x COM 422/485 (COM3, default:RS-485) 1 x COM RS-232 (COM4) 1 x 10 Pin terminal block for 1 Ground/VCC/4 in & out DIDO
Storage	2 x 2.5" SATA HDD space 1 x external CF slot
Expansion Slot	1 x PCIe x16 and 1 x PCI slot
OS Support	Windows XP, Windows 7, Linux, Windows XP Embedded, Windows 7 Embedded
Power Input	DC 9~32V
CD/DVD-R Device	Optional
Wireless	2 x antenna holes at front side for option
Optional Fan	2 x 40 x 40mm System Fan space (rear and front)
Construction	Steel and Aluminum Heat sink
Mounting	Wall Mount, optional Din Rail Mounting
Dimensions(WxHxD)mm	211.2(W) x 203.5(H) x 155(D) mm 211.2(W) x 203.5(H) x 155(D) mm (with DVD device)
Net Weight	2.5kgs
Operating Temperature	0~50 °C
Storage Temperature	-20~60 °C
Storage humidity	10~90% @ 40 °C, non-condensing
Certificate	CE/FCC Class A



A2695 DC IN





A2695
DC IN
DVD